



# PE

0610 Jaw Crusher



## The Affordable Alternative in New Crushing Equipment

### Standard Features

- Cast steel frame
- Open back for easy maintenance
- Reversible manganese jaw dies for maximum wear life
- Spherical, self-aligning roller bearings
- Isolated, close running annular/labyrinth seals protect bearings from dust and water
- Removable pitman/bearing assembly for maintenance ease
- Manual adjustment discharge setting
- Cast steel pitman with machined barrel

### Optional Features

- Electric motor
- Drive sheave and bushing
- Smooth Jaw Die

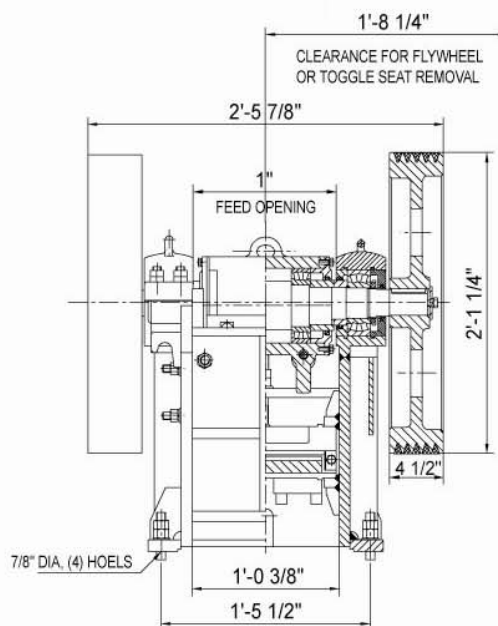
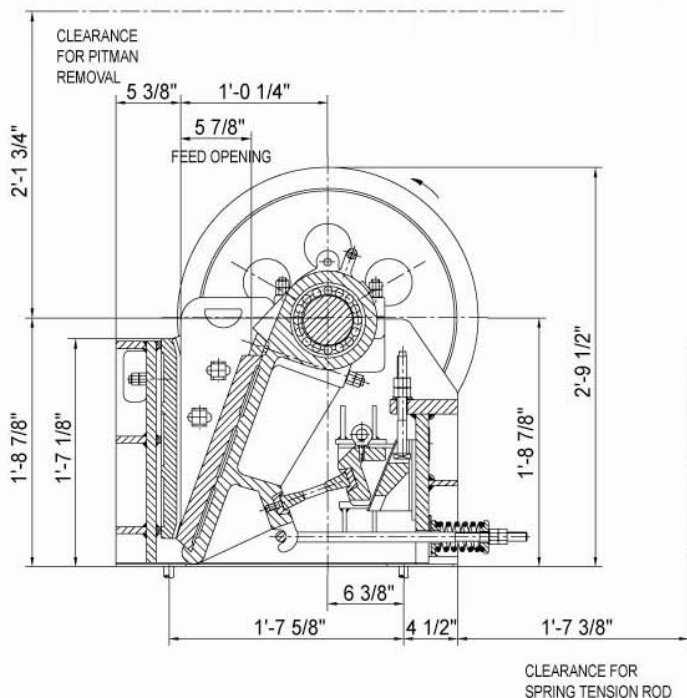


## The Affordable Alternative in New Crushing Equipment

### Specifications

Feed opening .....	6" × 10"
Discharge setting .....	3/8" to 1 1/2"
Maximum feed size .....	4 7/8"
Production range .....	1 to 5 TPH
Discharge setting	
3/8" .....	1 to 2 TPH
1" .....	2 to 4 TPH
1-1/2" .....	3 to 5 TPH
Required horsepower .....	25 HP
Rotor speed .....	300 RPM

Weights (LBS)	
Crusher .....	1,790
Flywheel .....	230
Swing jaw die .....	55
Fixed jaw die .....	55
Standard part dimensions (inches)	
Fixed jaw length .....	17 1/2"
Swing jaw length .....	16 3/4"
Bearing information	
Pitman bearing No. ....	22313CA/W33
Frame bearing No. ....	22218CA/W33



Note: Because of the nature of jaw crushers, it is not possible to produce a product all of which will pass a screen opening equivalent to the discharge setting. Oversize should be expected, and will fluctuate depending on the rock characteristics. For close settings, all undersize material should be screened off to increase the effectiveness of the jaw and to reduce wear on the jaw dies. Although the crusher may be configured to have a different discharge opening than indicated above, this crusher model is not designed to operate at other settings.

Design & Specifications Subject to Change Without Notice

August 2009

Arizona Construction Equipment, Inc.  
www.azce.com (602) 257-0802